

osseotouch
TOTAL CONTROL



Meta Ergonomica, based in Turbigo (MI), Italy, has developed and patented the use of Magnetic Dynamic forces in oral surgery. Its goal is to design and manufacture medical devices that allow to implement procedures in a controlled, precise and conservative way.

Meta Ergonomica is a company certified according to ISO13485.2016 standards by Tuv Rheinland S.r.l. (1936) with certificate N ° 39 05 0131202 and registered according to FDA standards.



Osseotouch



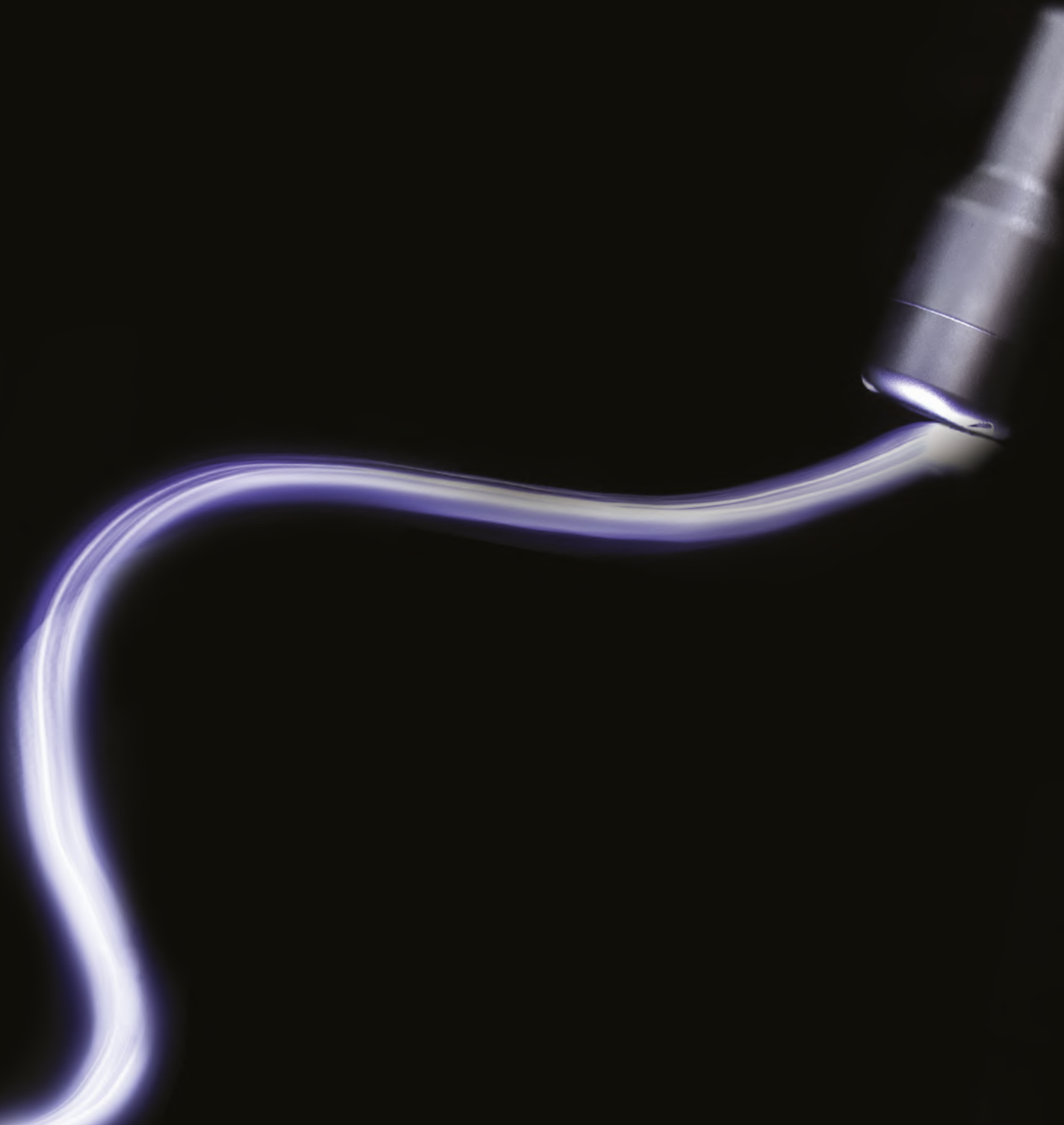
We are an Italian company that develops patents and devices with the most advanced technology available in dental sector: the Magnetic Dynamic technology.

We distribute the Magnetic Mallet and Easyroot along with a wide range of surgical instruments with the aim of accompanying and supporting the surgeon in an increasingly intuitive, simple and predictable daily practice.

Claudio De Giglio & Manuel Scali Founders Osseotouch.

The advantages of Magnetic Dynamic technology

The pulse that shakes things up!





> Speed

The Magnetic Dynamic propulsion applies more force than hand-held instruments. This means you will be able to operate more effectively.

> Precision

The forces are focused on the treated area, limiting their dispersion as much as possible. This means more patient comfort and total accuracy during the procedure.

> Directionality

The ergonomics of the handpiece allows it to be used with one hand and facilitates its positioning in the area to be treated. The instruments operate with a longitudinal movement without risk of deviations due to the different bone consistencies.

> Visibility

The lack of irrigation increases the visibility of the operator who is able to control the progressive penetration of the instrument.

> Control

For whatever procedure is used, from extraction to split crest, the forces are applied with great precision in a predictable manner, ensuring total control by the operator during surgery.

> Cold

The Magnetic Mallet substantially reduces the generation of heat so the use of irrigation is not necessary, as the mechanical frictions that develop over a span of micro-seconds are not sufficient to increase the bone temperature.

> Zero Drilling and Cutting

The Magnetic Dynamic technology moves, replaces, reforms, and condenses the bone. It never removes the bone, leaving the soft tissues intact.

> Versatility

Multiple functions with the same handpiece always using the necessary force for each procedure thanks to a very high degree of progressiveness.



osseotouch
TOTAL CONTROL

4 3 2 1

135°C

PLUS

FIRST



magnetic

M A L L E T

Starter Configuration

10 instruments - Liberty Assortment

An initial configuration that allows you to perform a large number of different procedures by spreading and condensing: from extraction, to sinus lift, to implant site preparation.

The 10 instruments are mostly curved, enabling to operate in the posterior and anterior sector as well. It's a great way to become familiar with the Magnetic Dynamic surgery, before upgrading to the full instruments configuration.

Magnetic Mallet is produced by: **Meta Ergonomica S.r.l.**

Via Monte Nero 19, 20029 Turbigo (MI), Tel: 0331 890280

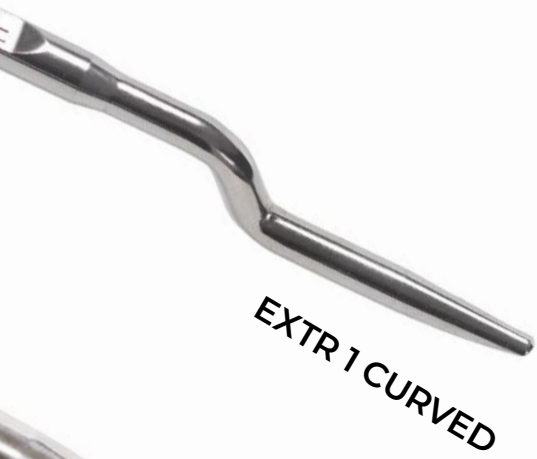


magnetic

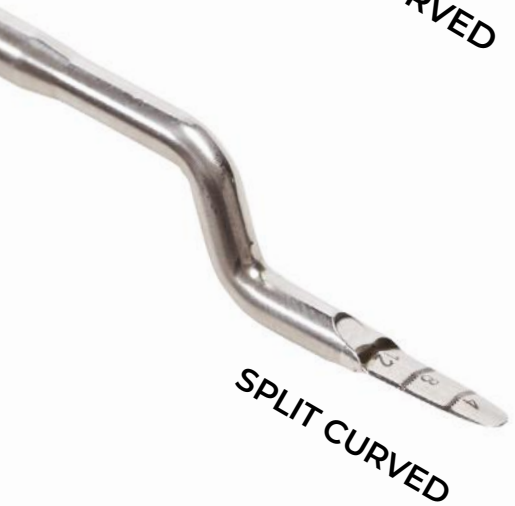
M A L L E T



330 CURVED



EXTR 1 CURVED



SPLIT CURVED



EXTR 2 CURVED



EXTR 3 CURVED



CUT CURVED

Full Configuration

25 instruments - Complete Assortment

Extraction, sinus lift, ridge expansion, osseodensification, implant site preparation: these are just some of the several procedures that you can perform in a precise and easy way with a full configuration. All the instruments are provided both in the curved version for the posterior sectors and in the straight one, for a perfect assessment of the preparation axis and the angle of attack.

10 Osteotomes



5 Extractors Curved



magnetic

M A L L E T

2 Splits Straight and Curved



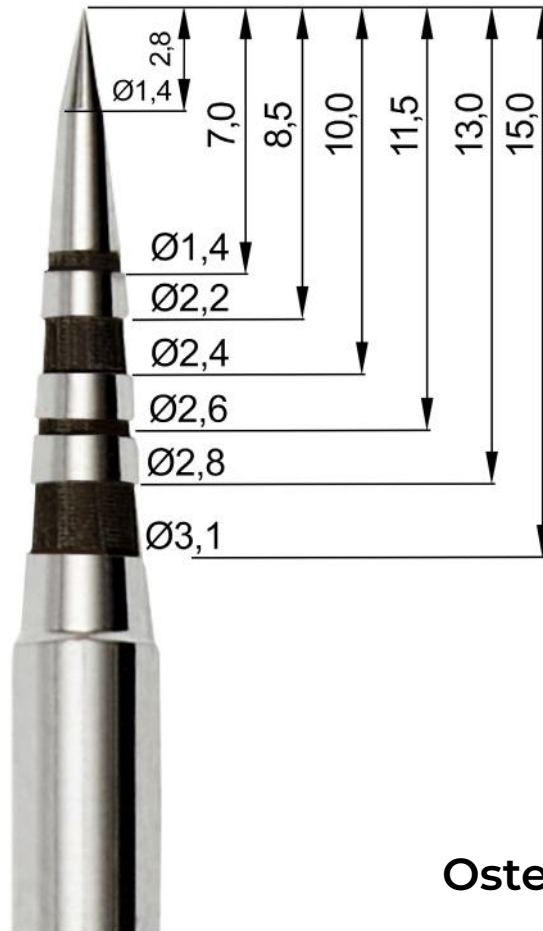
2 Cuts Straight and Curved



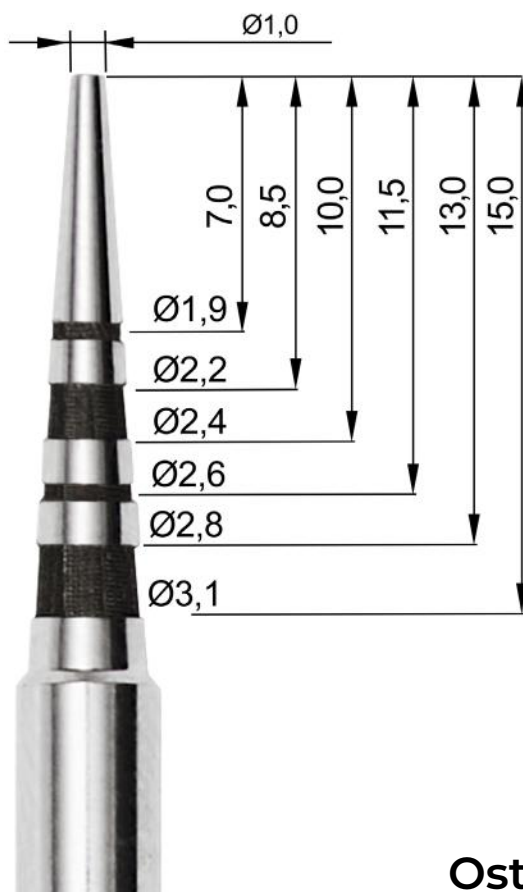
6 Expanders Straight and Curved



Dimensions

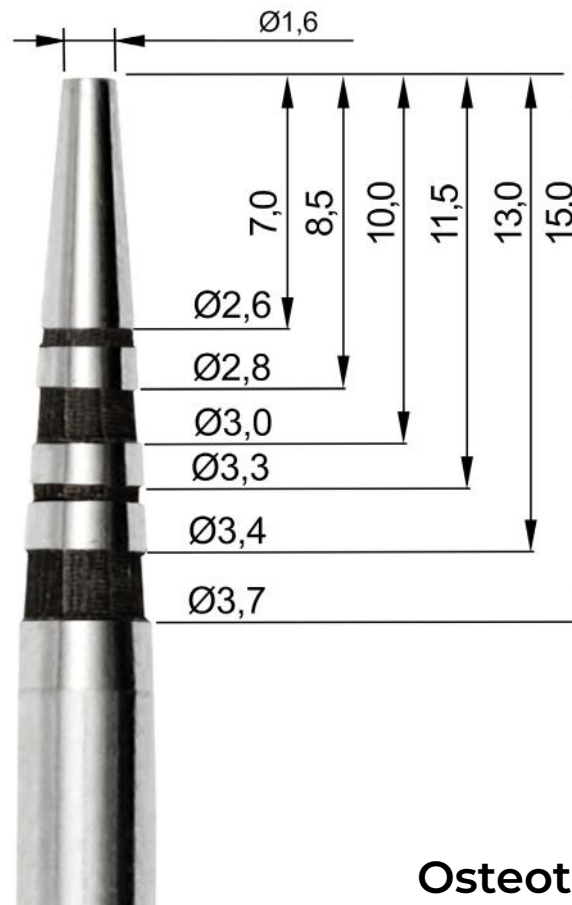


Osteotome 100P

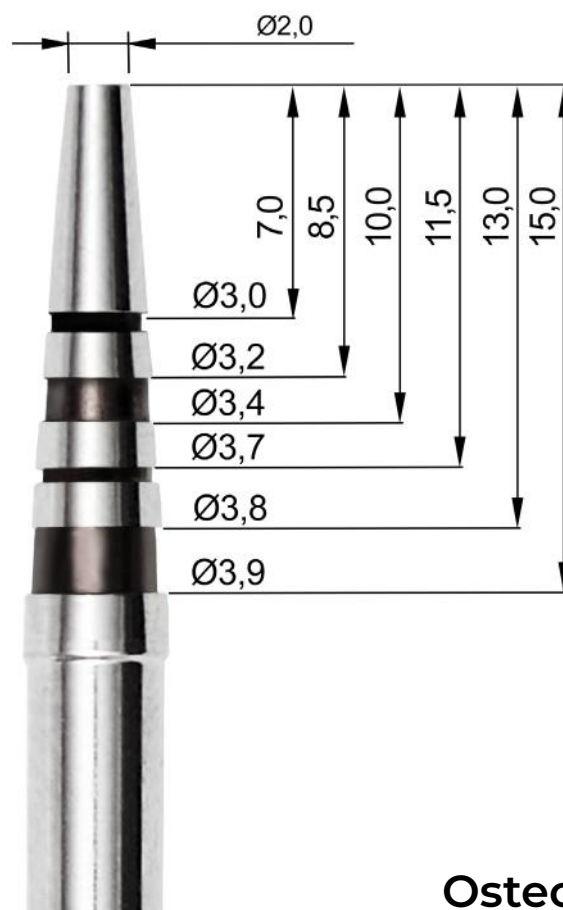


Osteotome 100

Dimensions

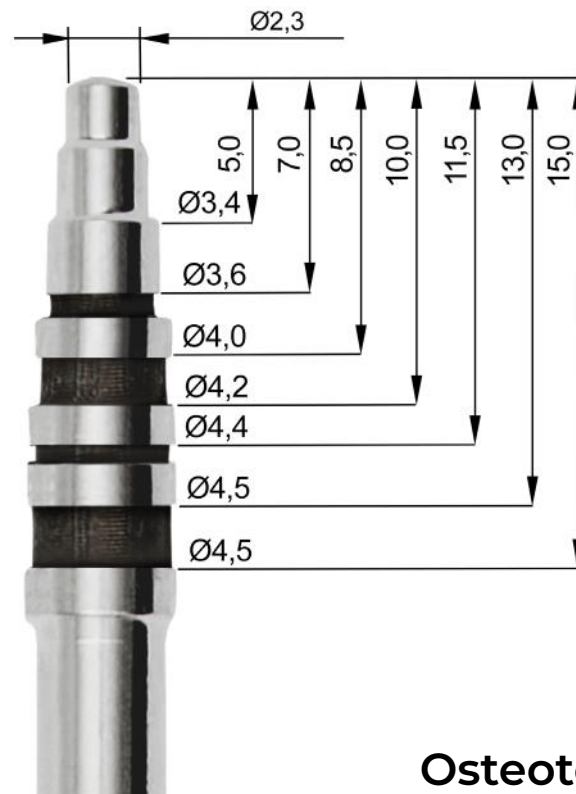


Osteotome 160

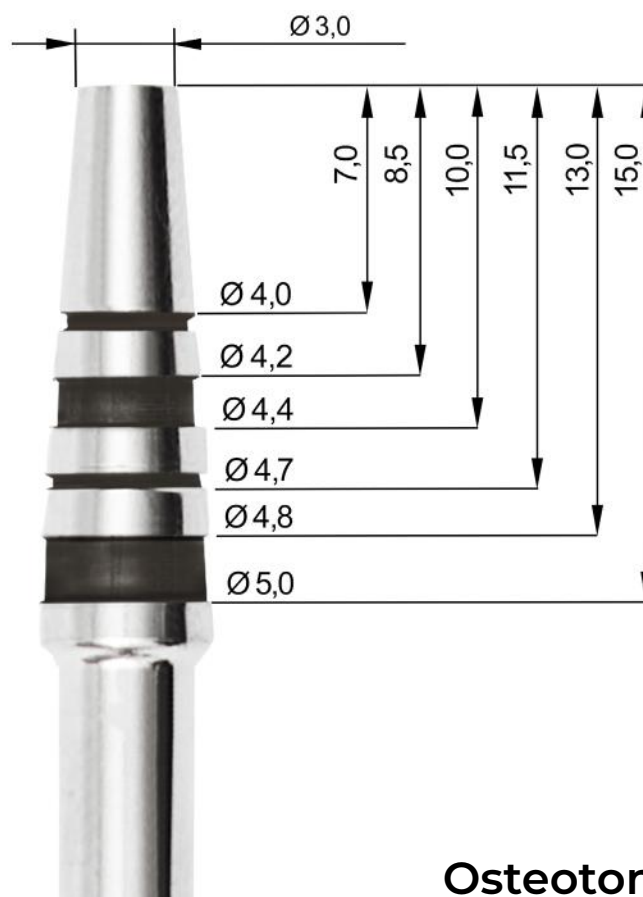


Osteotome 200

Dimensions

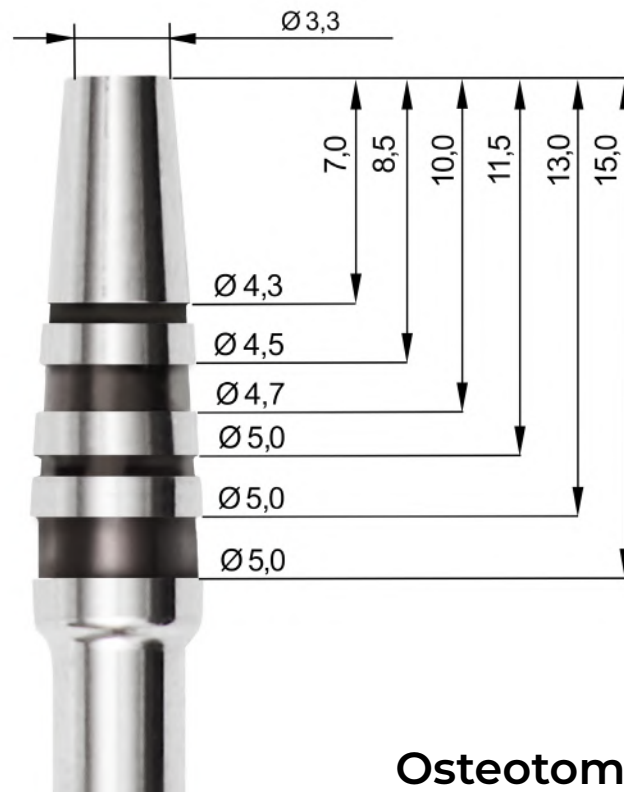


Osteotome 230

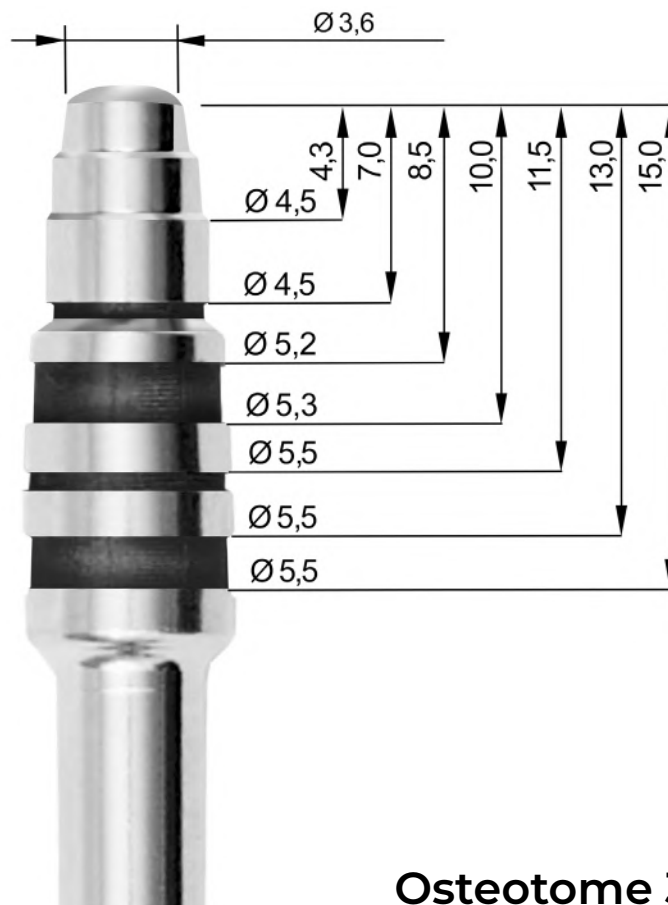


Osteotome 300

Dimensions

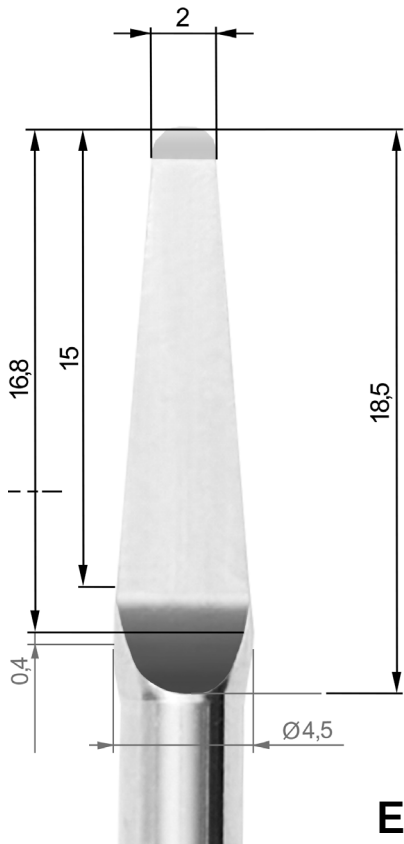


Osteotome 330

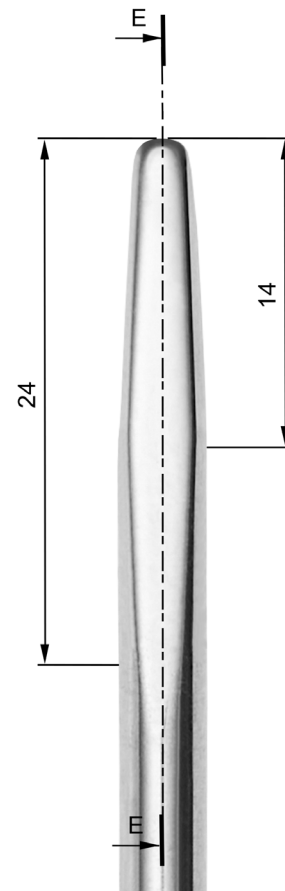


Osteotome 360

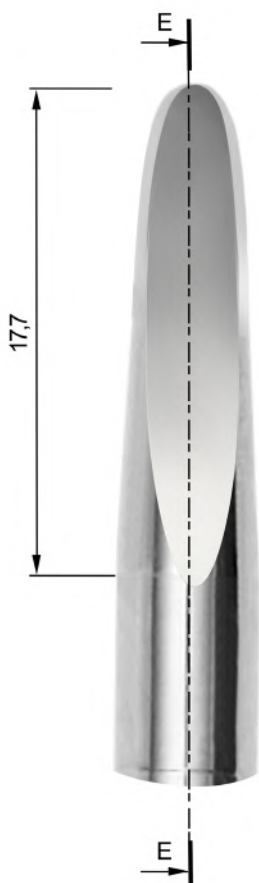
Dimensions



Extractor 1

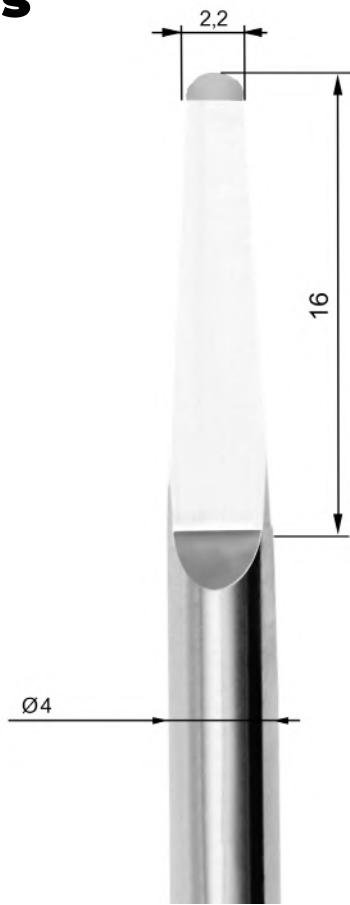


Extractor 3

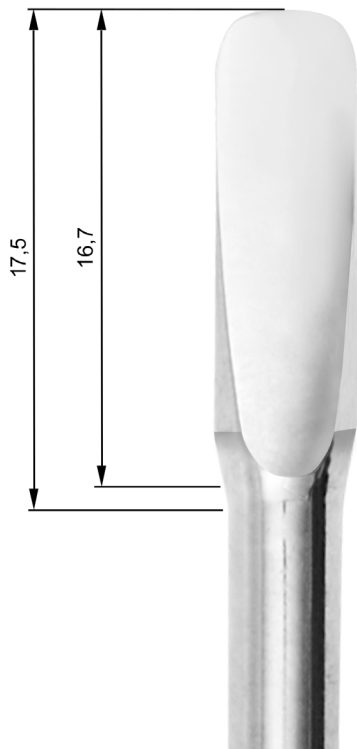


Extractor 2

Dimensions

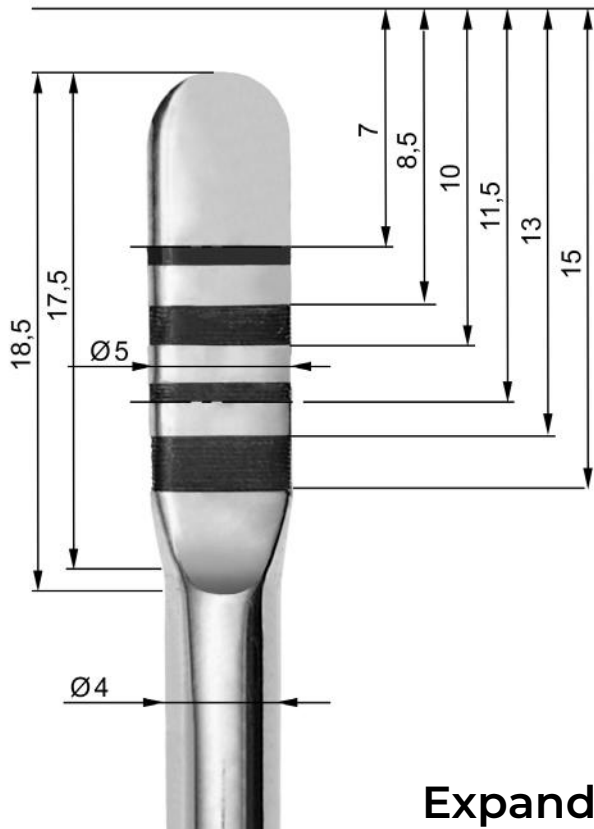


Extractor 4

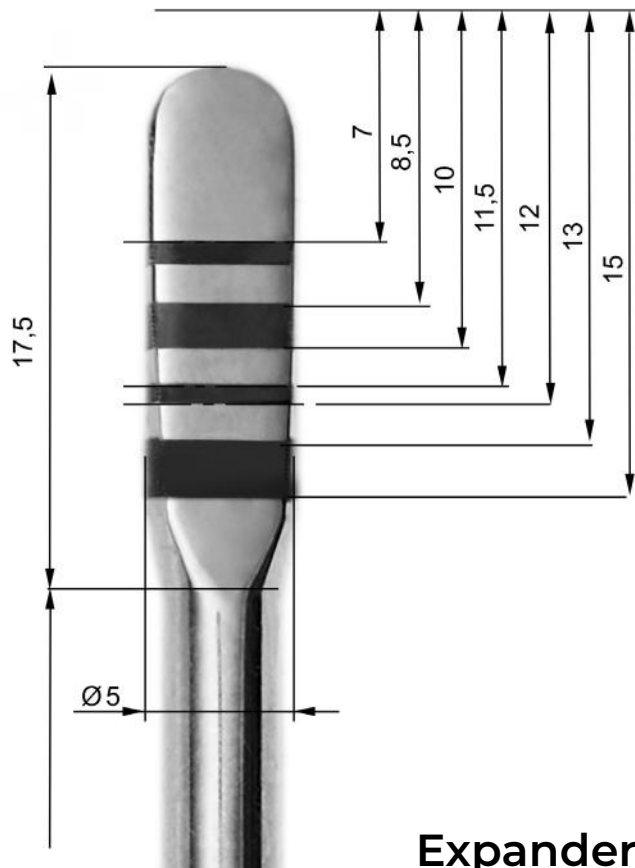


Extractor 5

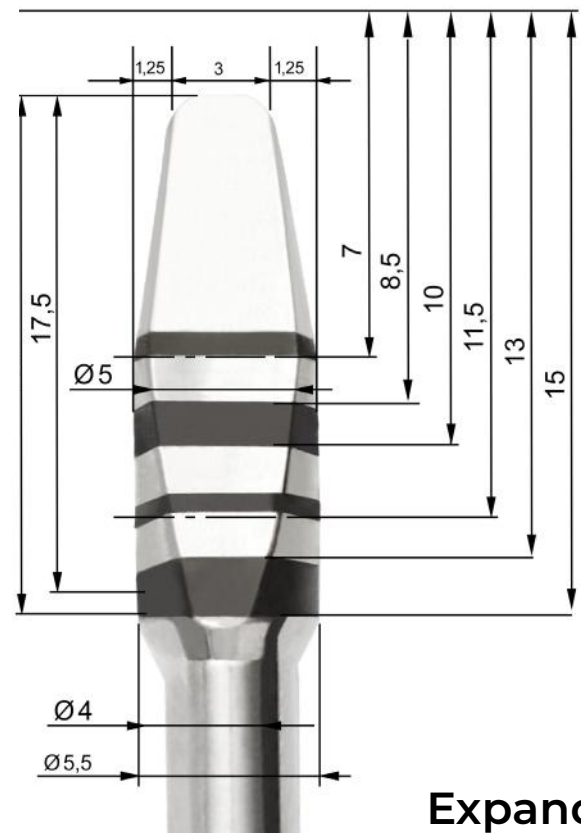
Dimensions



Expander 1

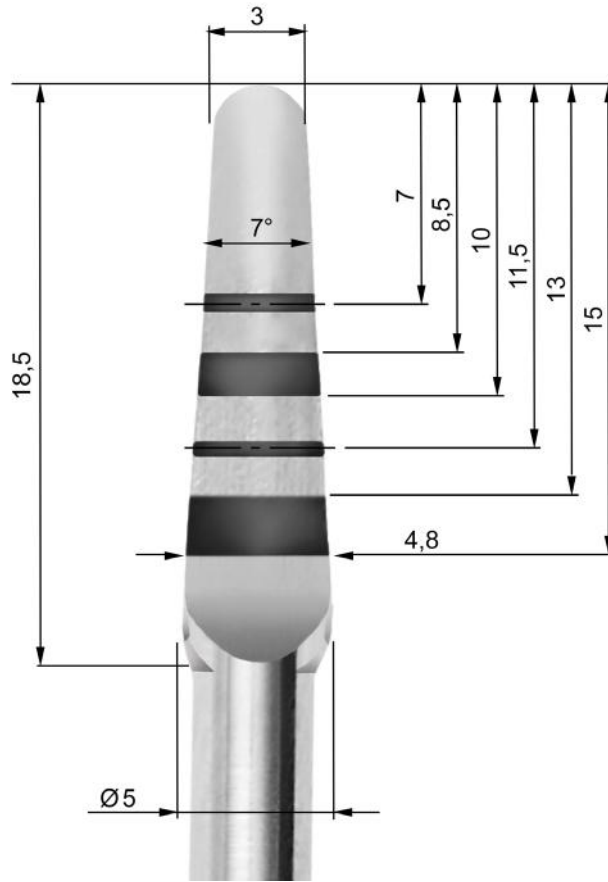


Expander 2

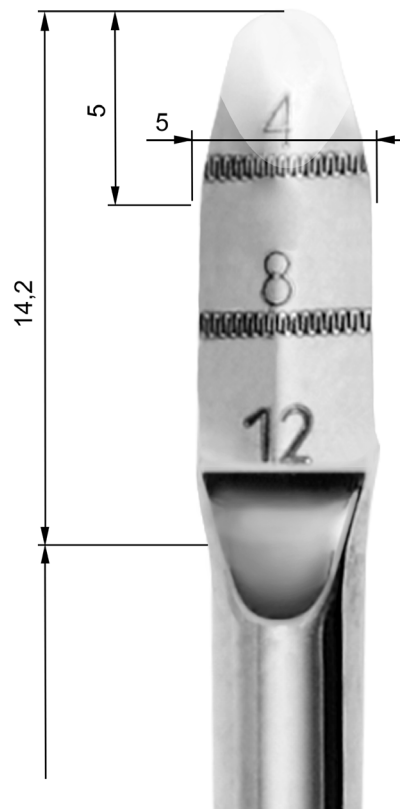


Expander 3

Dimensions



CUT



SPLIT





**Latest
generation
instruments**



First

For completely drills-free surgeries

The lanceolate tip of the instrument allows you to manage even the most re-presented corticals, completely avoiding the use of drills. With First it becomes much easier to determine the axis of the osteotomy even in the presence of thin crests, maintaining the osteotomes' trajectory in a safe and predictable manner.



Dimensions

Ø 1,8mm



FIRST

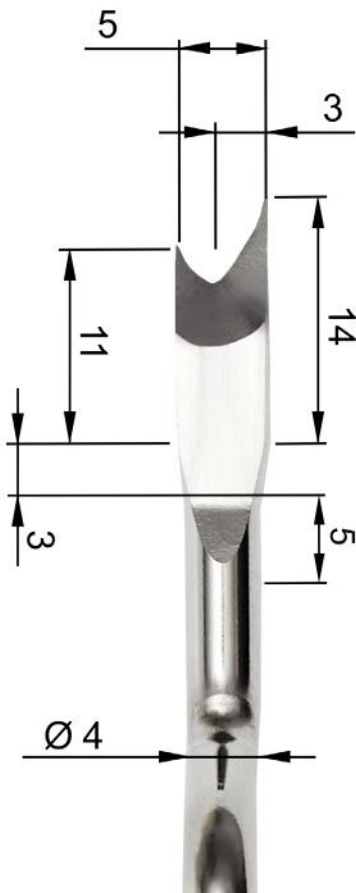
Genoa

For ridge expansions with zero bone subtraction

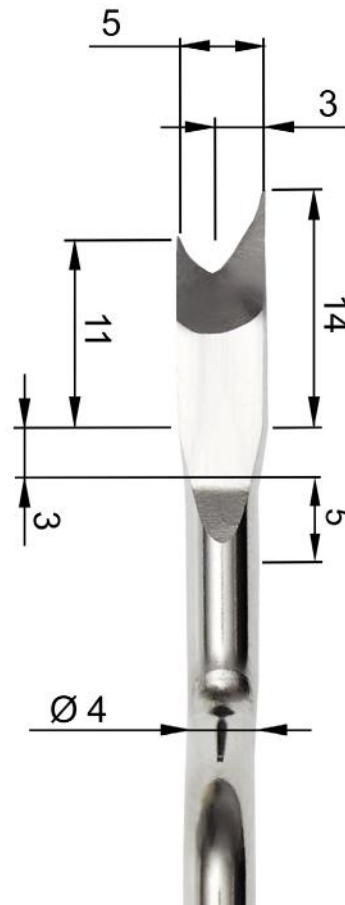
The tip of the GENOA instruments perfectly engages bone crests. The longer part determines its direction, the shorter part ensures the engagement to the crest. Each pulse advances the instrument by 1 mm. GENOA is the least invasive and safest way to manage thin ridges.



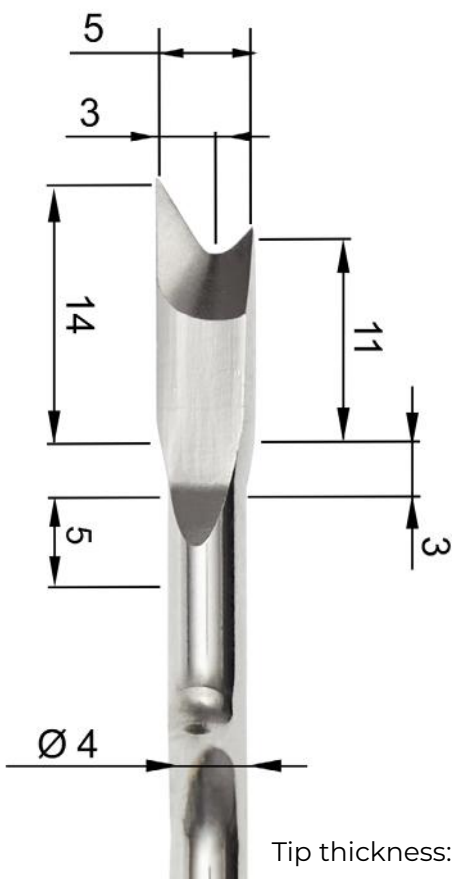
Dimensions



GENOA 1
Tip thickness: 2 mm



GENOA 3
Tip thickness: from 2.7 mm to 3.3 mm



GENOA 2
Tip thickness: from 2.7 mm to 3.3 mm

10 Black Ruby

The latest generation osteotome with DLC coating

Black Ruby improves the implant site preparation procedure thanks to the osteotome tip variable conicity that reduces the engagement of the cortex. The diamond-like carbon coating reduces the friction factor on the bone in an extremely perceptible way. The osteotome slides into the bone, shaping, expanding and condensing.

BLK-R1



BLK-R2



BLK-R3



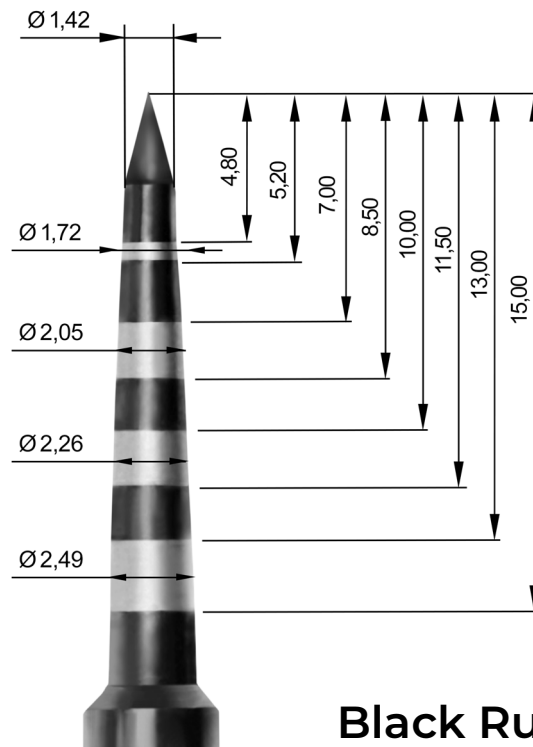
BLK-R4



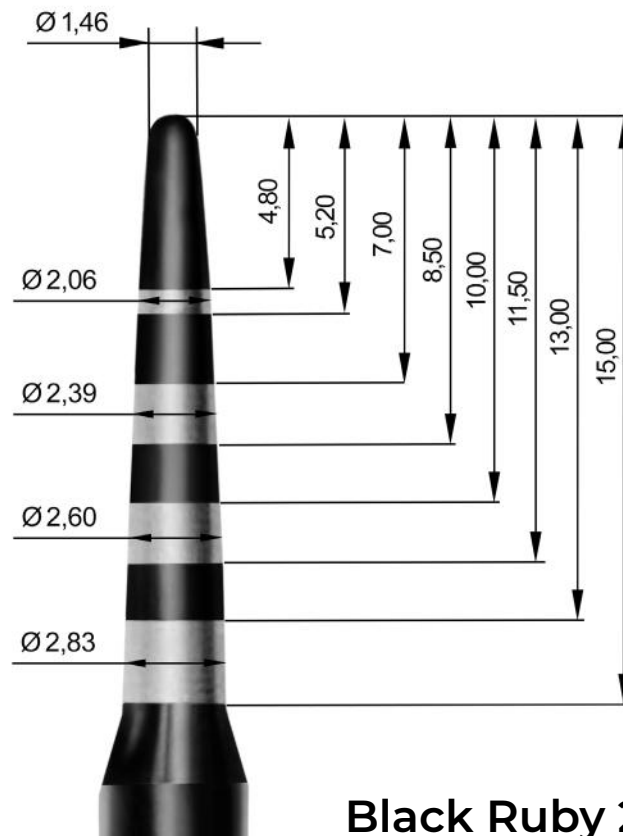
BLK-R5



Dimensions

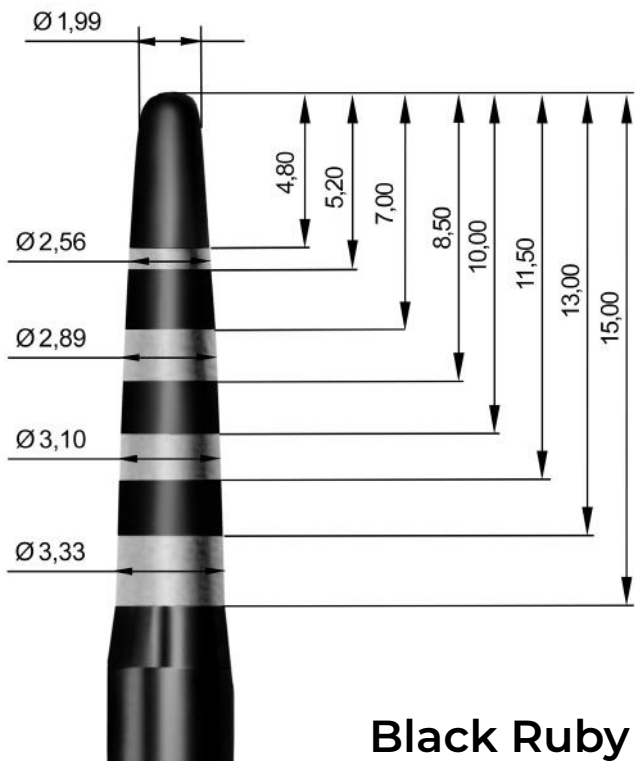


Black Ruby 1

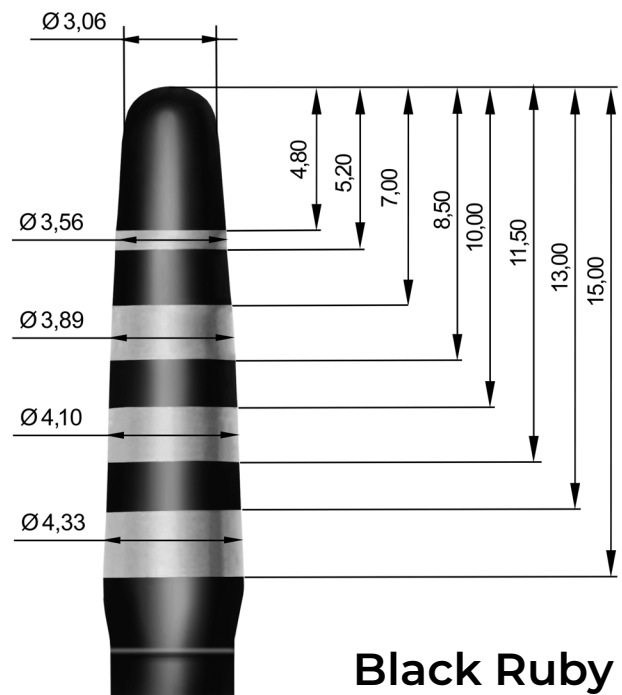


Black Ruby 2

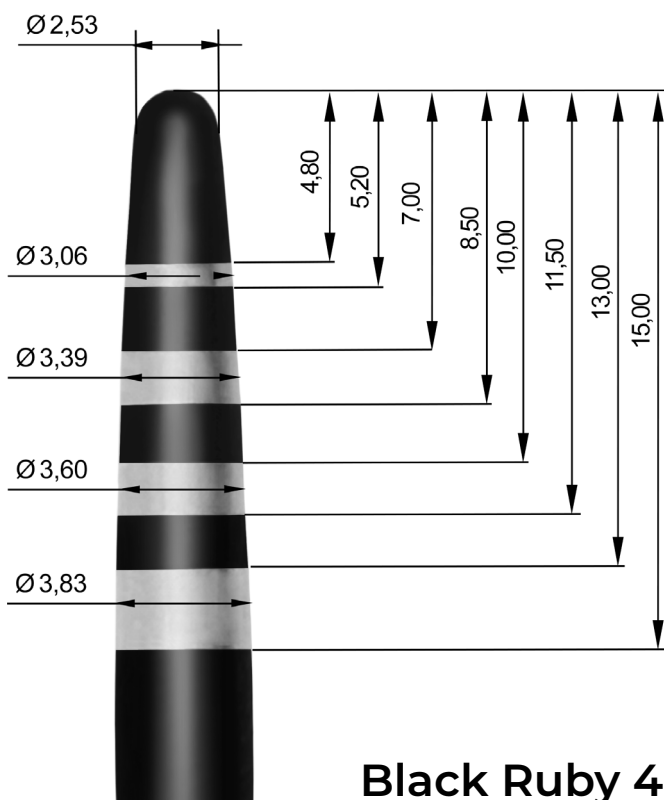
Dimensions



Black Ruby 3



Black Ruby 5



Black Ruby 4

18 Easy-In

**Maximum distraction of the bone tissue,
minimum compaction**

Easy-in has been designed to manage the most important densities that still need to be remodeled. The concave and sharp tip facilitates penetration into the bone and maximizes the effectiveness in distracting it. The 20 degree curvature allows you to work easily even in the jaw.

6 Easy-In Straight



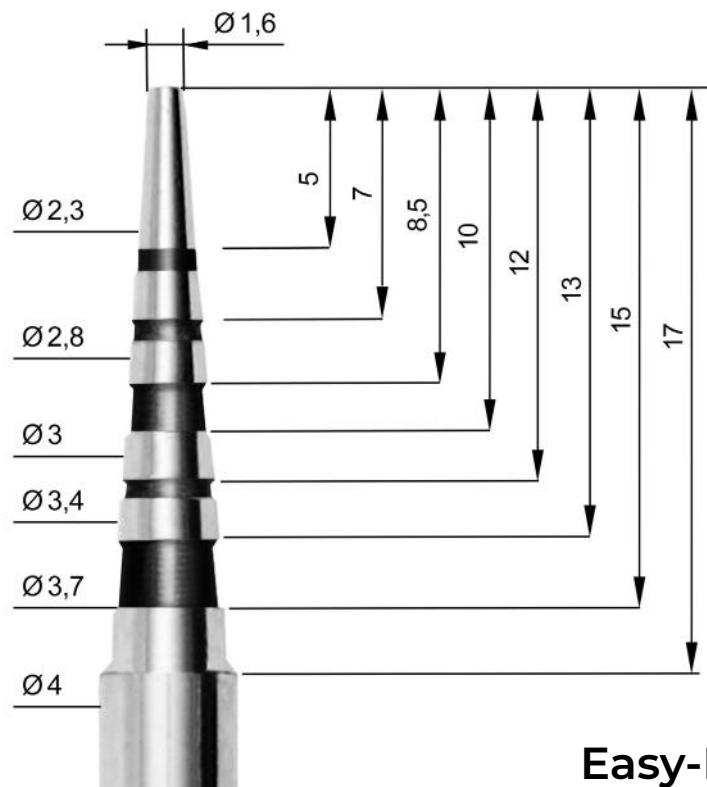
6 Easy-In Curved



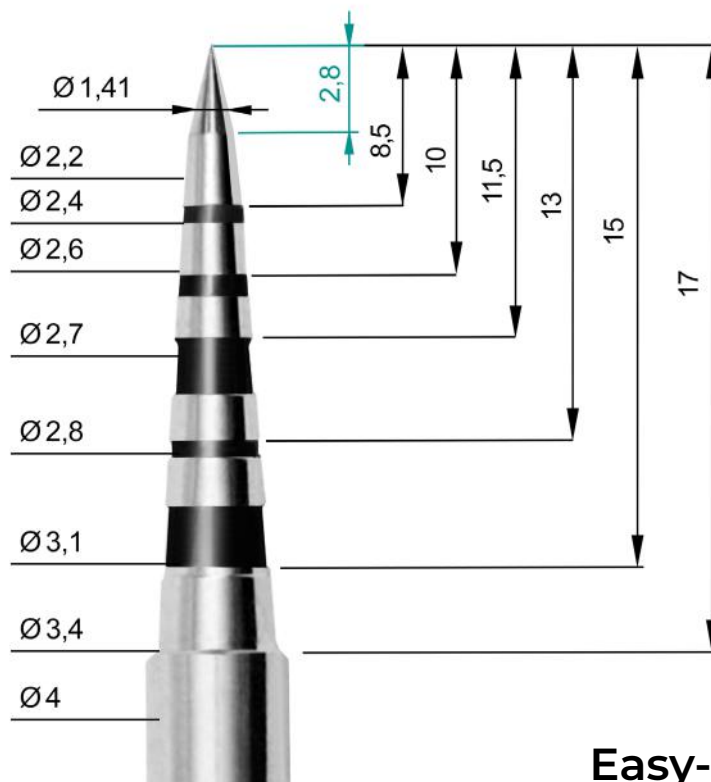
6 Easy-In 20°



Dimensions

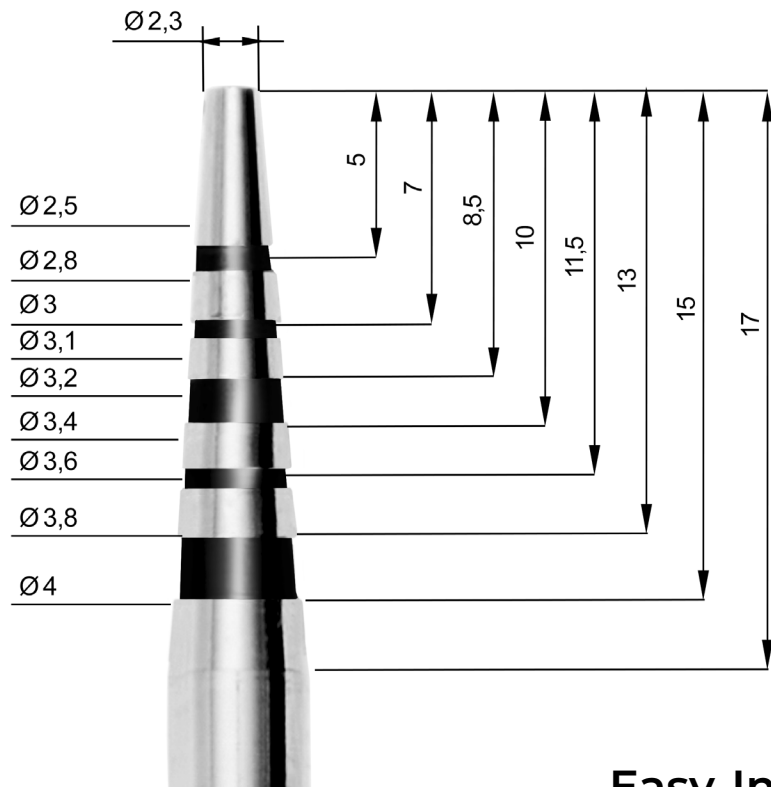


Easy-In 100

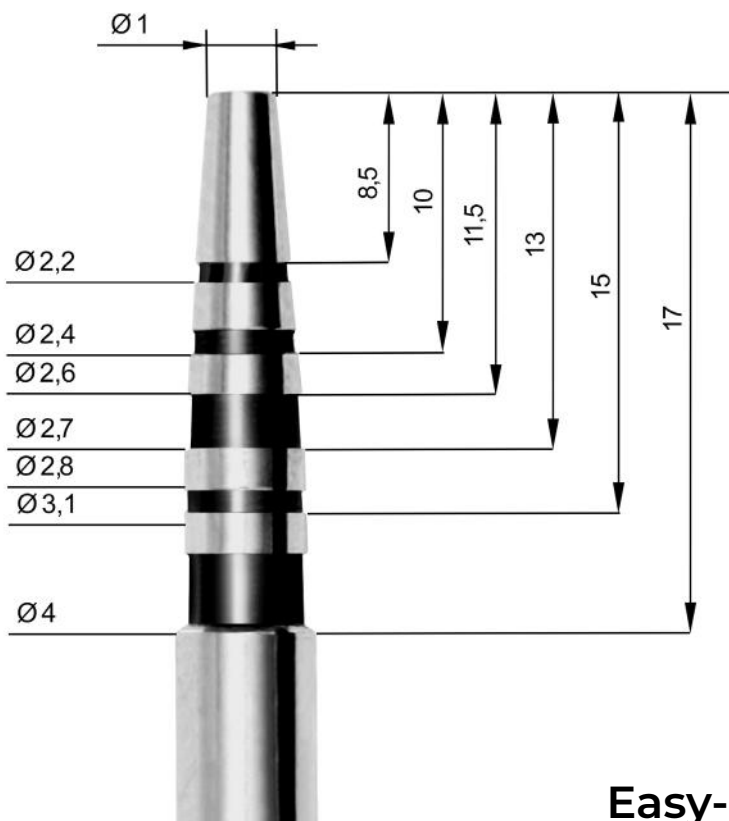


Easy-In 100P

Dimensions

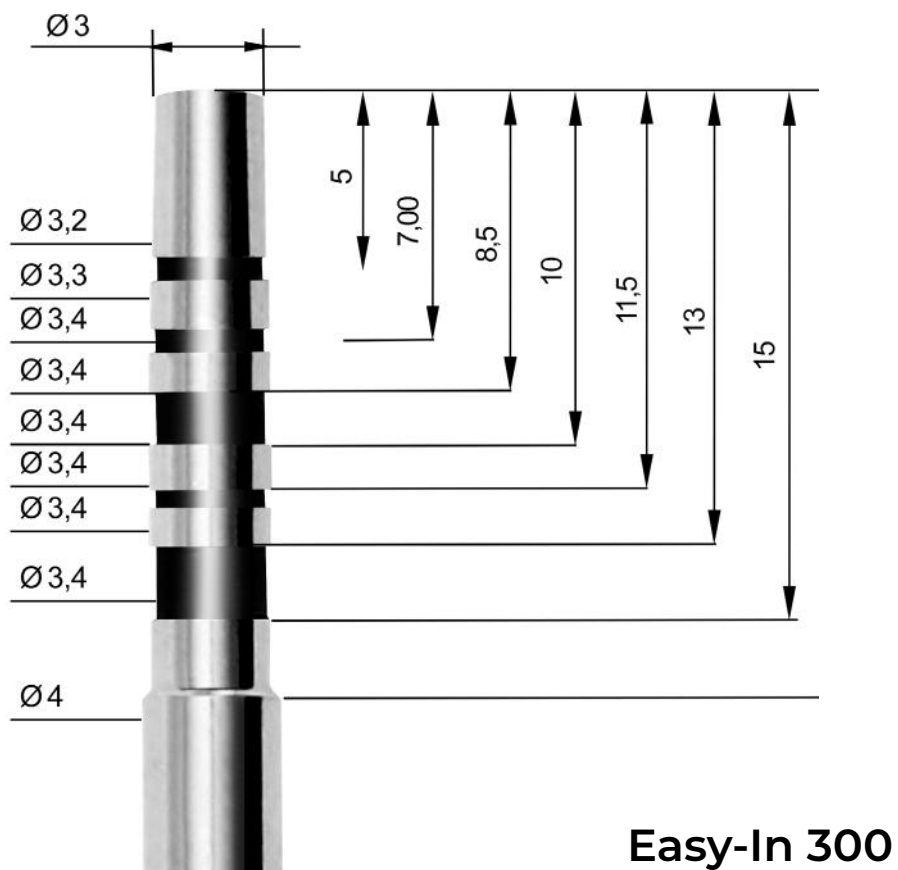
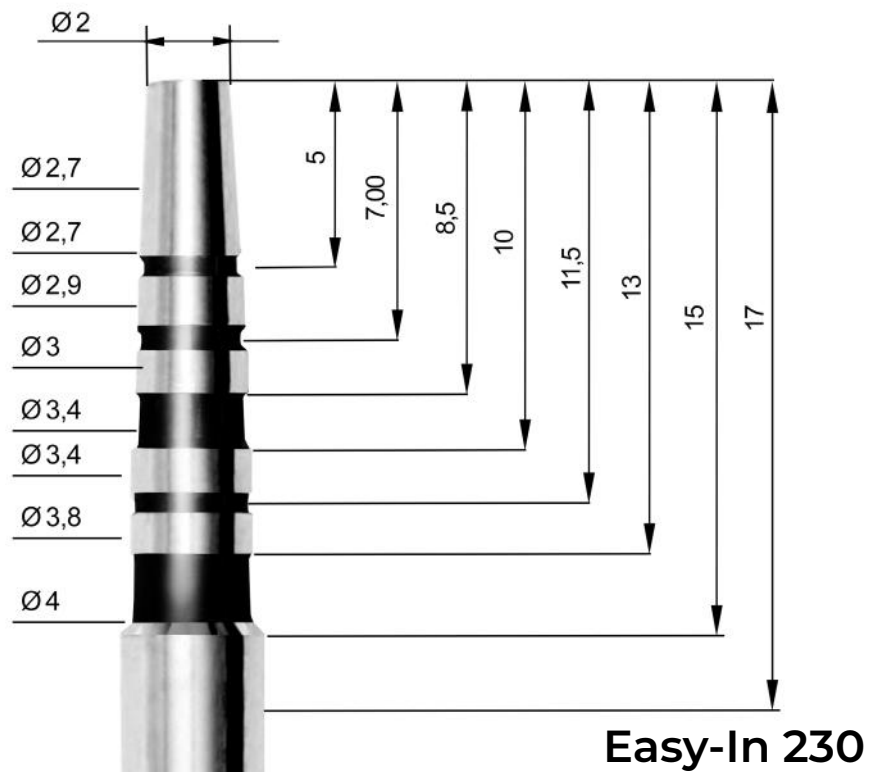


Easy-In 160



Easy-In 200

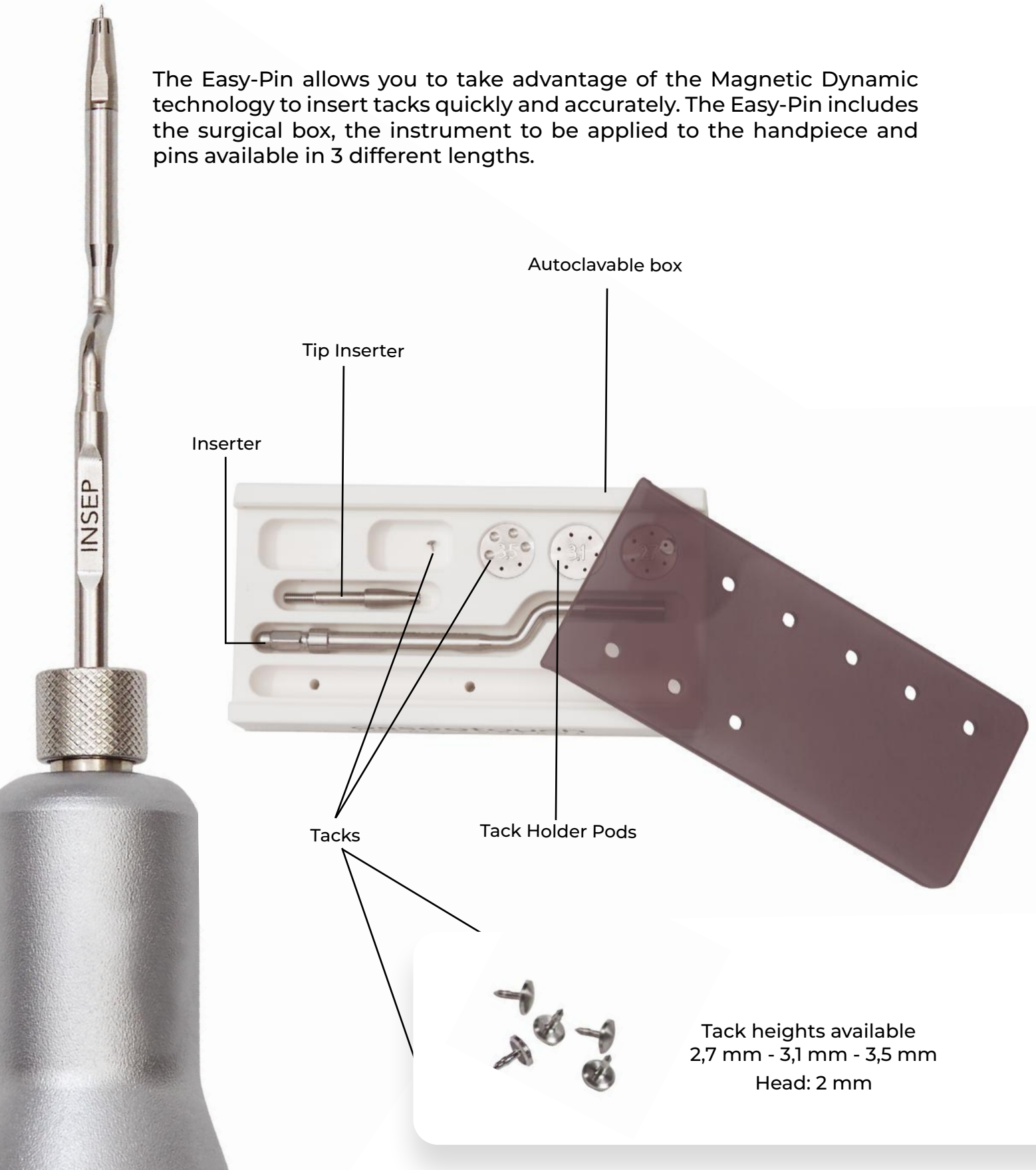
Dimensions



Easy-Pin

Precision and safety

The Easy-Pin allows you to take advantage of the Magnetic Dynamic technology to insert tacks quickly and accurately. The Easy-Pin includes the surgical box, the instrument to be applied to the handpiece and pins available in 3 different lengths.



Crown Remover

Efficient, Fast and Safe

A handpiece that uses the power and control of the Magnetic Dynamic technology to develop a perfectly longitudinal traction that allows you to remove bridges and crowns in a very short time.

3 tools supplied to
remove any item





osseotouch
TOTAL CONTROL


Join the community





Share your cases, learn from trainers, grow your skills!



Contact

 www.osseotouch.com
www.DentalEnterprisesLLC.com

 cs@osseotouch.com
BarbaraBrown@DentalEnterprisesLLC.com


 +1-251-210-7761
205-799-3066


Address


Osseotouch L.L.C
20585 County Road 13,
Suite B, Fairhope,
AL 36532

Follow us

   @Osseotouch

 Magnetic Mallet – Dental Enterprises LLC

 Magnetic Mallet – Dental Enterprises

 dentalenterprises